

LSC

NEWSLETTER



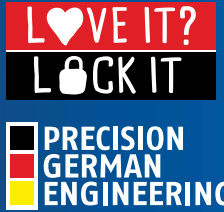
LSC 

September 2020 | Issue 446

THIS MONTH:
HID SIGNO™ RANGE OF ACCESS CONTROL READERS
NEW POWERFUL ENCODING CAPABILITIES
KEY OVERRIDE CAM LOCK FROM BORG

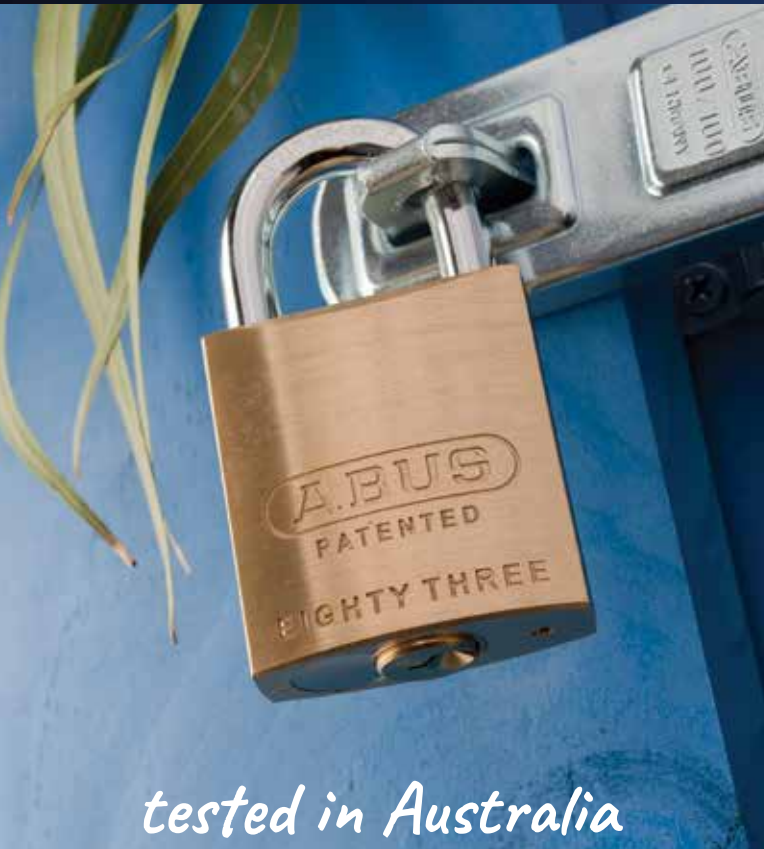


Security Tech Germany



AUSTRALIA'S MOST TRUSTED COMMERCIAL PADLOCK

Industry **PROVEN** for reliability & years of service
Australian Standard **TESTED**



tested in Australia

ABUS 83/45

Physical Security Rating

SP6

Corrosion Resistance Rating

C4



tested in Australia

ABUS 83/50

Physical Security Rating

SP6

Corrosion Resistance Rating

C4

With the largest range of options & accessories available, custom etching or embossing & Australian Standard Certified it's no wonder the ABUS 83/45 & 83/50 is the locksmiths' padlock of choice.

The standard applies to padlocks used in conjunction with padlock fittings. Requirements that relate to;

- **Physical Security** are classified under 10 levels, based on performance tests that simulate attack. The security rating is based on the lowest test result achieved.
- **Corrosion Resistance** are classified under 5 levels, based on standard accelerated corrosion tests.

Your customers can rest easy knowing their ABUS 83/45 and 83/50 padlocks are Australian Standard Certified, as requested by many commercial insurers & Government Depts. Just another reason why ABUS is the locksmiths' padlock of choice.

AUSTRALIAN STANDARD CERTIFIED

AS 4145.4 2002 - Part 4: PADLOCKS



SECURITY KEY BOX RANGE

*Allows you to store keys
and access cards*



Features:

- Hinged door design for ease of operation
- With secure punch proof hinge
- Standard 201 Style 6 pin cylinder
- Compatible with most restricted keying profiles
- Adjustable strike to suit various length cylinders
- Powder coated silver pearl finish
- Four 9 mm mounting holes
- Supplied keyed to differ
- Australian Made and Owned

Also available:

NMB11112201LC - Security key box hinge, less cylinder

NMB11112EMLC - Security key box hinge, less cylinder, suit Abloy protec 201 cylinder

NMB1112CAML - Security key box hinge, less cylinder, suit standard cam lock

NMB1112MT5LC - Security key box hinge, less cylinder, suit MT5 201 cylinder



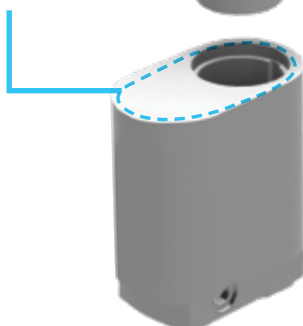
NMB1112201



AVAILABLE NOW



Custom
cylinder etching
available!



SECURE 6 B LONG LIFE - 2029

Secure6 is a restricted key system developed by LSC specifically for the Australian locksmith market. It is a 6-pin inline system that is high quality at a very affordable cost. It offers locksmiths a very competitive product in the market with long protection.

- ✓ Designed and built in Australia with leading locksmiths
- ✓ Fully compatible with most commercial locks
- ✓ Unique profile guards against picking and other unauthorised entry
- ✓ Easy key ID with a choice of 10 different colour inserts
- ✓ Secure6 B, additional barrel profile which features legal protection against duplication until 2029



*From a single door, to a multi storey building,
Secure6 has you covered.*



2020 | 2ND FINALIST

MAXWELL DICKS

A.S.A.P LOCKSMITHS | VIC



Please provide a short personal biography about yourself.

I grew up in Warrnambool with my first job being a milker at a local dairy. Interestingly, I was never seen as a hands-on person in high school, I was more of an academic. But, when I found my way to university, the learning style was not to my liking. My fencing instructor (the sword kind), suggested that I try Locksmithing. It seemed to be the ideal trade, interesting, hands-on, and more than a bit cool! I'd also always been quite security conscious too. I made quite an impression with Ron (owner and founder of A.S.A.P Locksmiths) and I started my apprenticeship here, the team at A.S.A.P have become like a second family to me.

What do you most enjoy about your work as a locksmith?

The thing I find most satisfying about being a locksmith is helping people, I don't think I could enjoy a trade without that customer focus and interaction. Most people seem to forget about our industry and will put up with a lock that doesn't work properly, often for a ridiculous amount of time. Sometimes all it takes is a simple fix like a strike adjustment or an altering; combined with a quick service and a spray of INOX - the difference it can make to someone's life is amazing. I know that it's not the most technically challenging, but the joy some customers seem to experience when a problem that has been plaguing them for months if not years is fixed, really makes my day.

What key issues do you think will affect the locksmith industry in the coming decade and how do you think these should be approached?

There is and will continue to be a move towards electronic locking as Australians are constantly striving for greater convenience. Currently, a significant number of the budget electronic locks are terribly made. I feel that the best option for solving this issue is a regulatory route; there are already existing consumer provisions, these just need to be utilised.

Another issue is the proliferation of unqualified Locksmiths that has begun to endanger the industry as a whole. It penalises Locksmiths for advertising our pricing in a genuine and honest manner and also results in giving the industry a bad name. The best solution is once again to use the existing consumer protections or business regulators.

Tell us why you should be Australia's best young locksmith.

This is probably the most difficult question to answer because I'm not really sure how to compare myself to other locksmiths. The only evidence I have of my competence is the quality of my work and my reputation amongst those I subcontract for. I don't know exactly what makes Australia's Best Young Locksmith, but I have been known to 'speak good' on occasion and that is certainly an important skill when representing any industry. I am also a fearless advocate for what I believe in and always willing to do what I feel is right. Regardless of the competitions' outcome, I plan to keep on being the best locksmith I can, while striving to make positive changes to the world as a whole.

Sponsored by:



A family owned Australian business since 1926

PRODUCT SPOTLIGHT

NEW ABUS 83/55 ETCHING



ABUS 83/55 Etching now available!

Secure more business with FREE advertising. LSC can now etch the ABUS 83/55 hardened steel body padlocks. Get your business name out there. Enjoy the benefits of LSC's high quality precision laser etching.

**For new or existing etched customers.
Talk to your Account Manager today**



8355NLPETCH ABUSP/LOCK
*LASER ETCHED BY LSC



SALTO
inspired access



NEW SALTO NCODER

Is it a programmer? Is it a wall reader?... No.....
It's the new SALTO NCoder!

We are pleased to announce that SALTO have released the next generation of NCoders. The new contactless NCoder is available now and integrates powerful encoding abilities along with an updated design.

The new NCoders have USB/Ethernet/NFC connection/ DHCP addressing and cost is similar to the existing USB encoder, making this super value for money..

Product Codes:

ECB04B0AUS - NCoder - Proximity card encoder Mifare/DESFire BLE
ECB04B0AU - SP NCoder - Proximity card encoder Mifare/DESFire BLE

*powerful encoding capabilities
right at your fingertips!*



DAHUA 6MP AI EYEBALL CAMERA



The HDW3641TM is Dahua's latest addition to their AI WizSense range. Performance and price are both achieved with this 6MP eyeball camera.

Features:

- 6MP @ 20fps
- 2.8mm fixed lens
- Built in IR LED
- Intelligent detection: Tripwire and intrusion
- Smart motion detection
- Supports max. 256 G Micro SD card, built-in Mic
- 12V DC / PoE power supply
- IP67 protection



HDW3641TM



FREE DELIVERY!* for all orders over \$150 *Exclusions apply.





NEW MAJOR SOFTWARE RELEASE FROM ADVANCED DIAGNOSTICS

Advanced Diagnostics is pleased to announce the release of the ADS2321 key programming software for Hyundai® - Kia®. This is the first solution in the market that does not require an internet connection. Applicable to several late model 2018+ Hyundai / Kia covering;

- Transponder programming
- Remote programming
- PIN Reading

Refer LSC website, CarLab or MYKEYSPRO for vehicle model list. The ADC242 Smart Aerial is required to program aftermarket DST80 transponders.



*Suit i30
2017*

*Suit Cerato
2018*



HY95430G3200

- OEM Product supplied in Hyundai packaging
- TIRIS DST 80
- ID60-6F
- 433.9MHz

K95430M6300

- OEM product supplied in Kia packaging
- ID60-6F
- 433MHz
- Blade & roll pin sold separate

DRIVEN BY NUMBERS



BDS



ADVANCED DIAGNOSTICS

TECHED

scorpio-ly Ltd
Hardware and Software Development



TRANSPONDER
MAKER PRO

There are 1.3 billion vehicles globally



516,328
number of vehicles
registered in
2020



752,018
number of vehicles
registered in
2020



1,026,137
number of vehicles
registered in
2020



2,978,505
number of vehicles
registered in
2020



Did you know there are **2,978,505** registered Toyotas driving around Australia?

That number of registered Volkswagen vehicles has grown by **more than 38% since 2015**.

Hyundai and Honda **have grown by over 14%**.

9.8 million

registered motor vehicles in Australia with an average age of vehicle just over 10.3 years.



CLICK&COLLECT Free pick-up from our branches

LSC



The HID Signo™

The Signo signature line of readers have been years in the making and represent the most advanced and secure reader in the industry.

Signo combines versatility, performance and connected capabilities, setting a new industry benchmark. The range provides a simple and effective approach to secure access control for almost any scenario. Signo readers support past, present and future technologies, making this the perfect reader to transition to a secure authentication technology. The readers can be remotely managed via the reader manager app which empowers the installer to make necessary changes anytime, anywhere.



New & Improved

KEYPAD
Capacitive Keypad
Visually Impaired Mode

READ RANGE
Automotive Surface
Detection

SIGNO 20K

Mullion Style Mounting,
Keypad Support (Capacitive)

- 20KNKS020002BL
- 20KNKS0100001H
- 20KNKS00000000

SIGNO 40K

Wall Switch Mounting,
Keypad Support (Capacitive)

- 40KNKS020002BL
- 40KNKS0100001H
- 40KNKS00000000



Ordering has been simplified with 4 different styles of reader to choose from with 3 different technology sets available depending on the application required. Choose from SEOS profile for maximum security, Smart profile for comprehensive high frequency compatibility, Standard profile for maximum compatibility including Low frequency Prox.



Reader Line has landed at LSC

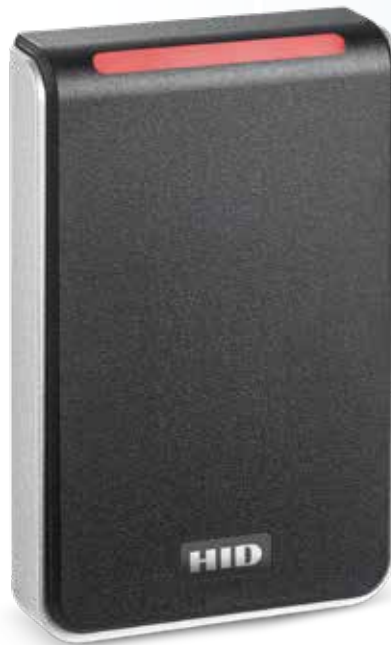
Key Reader new features:

- BLE and OSDP configuration included as standard
- Capacitive keypad on 20k and 40k models with a new visually impaired mode. This allows those that may be sight limited additional time to find registration mark and input PIN data with out sending inadvertent data to the panel
- iBeacon mode for faster mobile access transaction times
- IP65 out of the box – rugged out door performance
- New automatic surface detection feature – reader automatically recalibrates read performance depending on the surface it is mounted on. This happens every time the reader is power-cycled
- No more need for config cards as each reader can be managed through the reader manager app

Advanced Features

MOBILE ACCESS
iBeacon/Dual Mode

PERFORMANCE
Velocity Check
Intelligent Power Management



SIGNO 40
Wall Switch Mounting

40NKS020002BL
40NKS0100001H
40NKS00000000



SIGNO 20
Mullion Style Mounting

20NKS020002BL
20NKS0100001H
20NKS00000000

Communication	NFC/ BLE	High Frequency								Low Frequency			
		Seos (Mobile IDs via NFC/BLE)	Seos	iClass SE	iClass SR	iClass	MIFARE DESFire EV1/ EV2 (SIO)	MIFARE Classic (SIO)	MIFARE DESFire EV1/ EV2 (CSN)	MIFARE Classic (CSN)	125kHz HID Proximity	125kHz Indala Proximity	125kHz SM4102 Proximity
00 - Standard Profile	●	●	●	●	●	●	●	●	●	●	●	●	●
01 - Seos Profile	●	●	—	—	—	—	—	—	—	—	—	—	—
02 - Smart Profile	●	●	●	●	●	●	●	—	—	—	—	—	—

● Supported

— NotSupported



FREE DELIVERY!* for all orders over \$150 *Exclusions apply.



TOUCHPOINT® KEY CABINETS

The Key Cabinet Pro is a unique heavy-duty steel key cabinet. This model has an easy-to-use TouchPoint® Pushbutton lock that combines convenience and security.

- Includes key tags & key rings
- Resettable combination lock
- Unique TouchPoint® lock with 1024 possible combinations
- Clutch mechanism protects from forced entry



Touchpoint key cabinet
- 30 capacity SU1795

- Dimensions 300 (H) x 200 (W) x 60 (D)mm



Touchpoint key cabinet
- 60 capacity SU1796

- Dimensions 490 (H) x 340 (W) x 102 (D)mm



Touchpoint key cabinet
- 120 capacity SU1797

- Dimensions 490 (H) x 340 (W) x 102 (D)mm



SILCA MACHINE SPECIALS



SPECIAL BONUS
1000 FREE
Coined
LW4 Keys

Bravo Professional
key machine SD832450ZB

- Your everyday work partner
- Smooth, Swift, Safe



SPECIAL BONUS
2000 FREE
Coined
LW4 Keys

Lancer Plus key machine
SD810905ZB

- The only machine for the job
- So rugged it will last a lifetime



SPECIAL BONUS
2000 FREE
Coined
LW4 Keys

Matrix One key machine
SD843298ZB

- Ultimate accuracy
- A workshop must-have

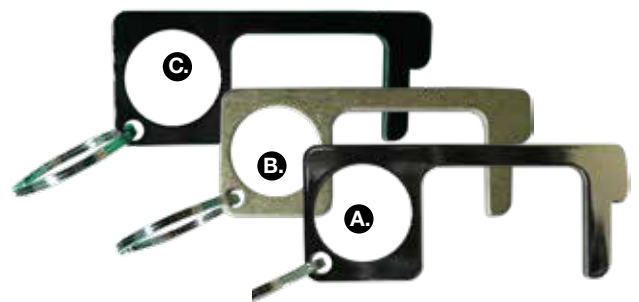


NEW KEY RING OPENER TOOL

- Use this handy tool to open doors without having to touch them
- Includes a key ring so you can carry it with you wherever you go
- Avoid touching contaminated unclean surfaces with your hands
- Multiple uses. Easy add on sale when cutting keys POS
- The natural brass models have inherent anti-bacterial properties
- Used to pull doors open or lever handle furniture & pressing elevator/pedestrian/ATM buttons



A. KDO3NI KDO3 Nickel
 B. KDO3NATBR KDO3 Nat Brass
 C. KDO3BLK KDO3 Gun Metal Black



A. KDO4NI KDO4 Nickel
 B. KDO4NATBR KDO4 Nat Brass
 C. KD04BLK KDO4 Gun Metal Black



COMING SOON ECP CAM LOCKS WITH KEY OVERRIDE

BORG mechanical digital Cam Lock with ECP (on door code change) now **with key override!** Featuring a smaller footprint keypad, making it easy to install on new or existing cabinets or cupboards. Perfect for rented lockers, staff lockers, cabinets, key cabinets, cupboards or joinery. Simple & easy to use, give your customers a keyless option & with the advantage of key override.

- NON HANDED
- EASY TO INSTALL
- SUPPLIED KEYS
- SUITABLE INTERNAL USE



SC Cam Lock ECP with Key Override KA

BL1706SCECPKA



SC Cam Lock ECP with Key Override KD

BL1706SCECPKD



MGPRO Cam Lock ECP with Key Override KA

BL1706MGPROECPKA



MGPRO Cam Lock ECP with Key Override KD

BL1706MGPROECPKD

Also Available: BLS101SC SC Code Change Cover Plate | BLS101MGPRO MGPRO Code Change Cover Plate

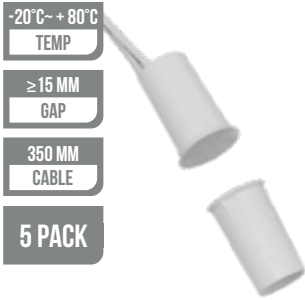


CLICK&COLLECT Free pick-up from our branches



NEPTUNE REED SWITCH RANGE HAS YOU COVERED

Neptune Security Products offer a range of reed switches to suit many different applications. There are concealed versions where aesthetics is front of mind, or rugged sealed units where they are being installed in commercial and industrial environments. All reed switches have been tested for more that 100,000 cycles and come with a 1 year warranty.



10 mm Concealed Reed Switch

NECMR10W5



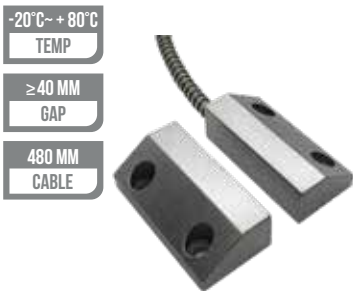
20 mm Concealed Reed Switch

NECMR20W5



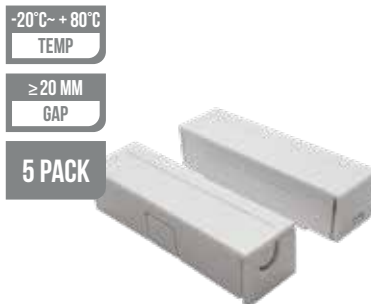
Metal Reed Switch with Armour Cable

NESMRMFA



Magnetic Reed Switch with Armour Cable

NESMRMBA



Reed Switch with Concealed Fixing

NESMRCW



Reed Switch with Terminal Screws

NESMRTW



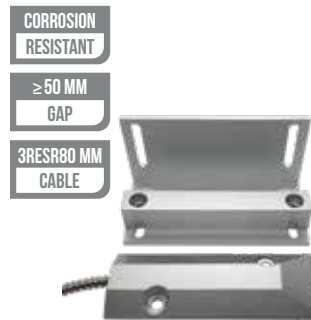
Magnetic Switch with Concealed Fixing

NESMRSW



Mini Reed Switch

NESMMRW



Roller Door Reed Switch Kit with Armour Cable

NERDMR



Magnetic Reed Switch with Screws

NESMRCOW



NEW VERSION V4.0 BOARDS HAVE ARRIVED

CS Technologies Evolution Access Control series comprises of two full function network access controllers; the EVO4 4-Door and EVO2 2-Door. Both products feature network access control boards with RS485 and TCP/IP

Ethernet communication support, lift control, CCTV integration and seamless alarm integration via 4-state monitored expansion boards.



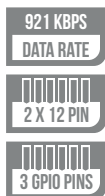
Network 2 Door Controller CSEVO2

- Modular Design - Simply add as many controllers as required
- Each controller can function as a Door / Alarm Controller
- Flexible Communication Options (USB and TCP/IP available)
- Expansion Boards available (expand up to 250 relays and 250 inputs)
- Exit Request, Door Monitoring, Anti Pass back, Man-trap, Car Parking Control
- Alarm Integration (Arm and Disarm the Building when you enter and Exit)
- Dual Path Back to Base Alarm Signal Support with Optional TCD adapter
- Free Evolution Management Software



Network 4 Door Controller CSEVO4

- Modular Design - Simply add as many controllers as required
- Each controller can function as a Door / Alarm, Lift or Fire door Controller
- Flexible Communication Options (USB and TCP/IP available)
- Expansion Boards available (expand up to 250 relays and 250 inputs)
- Exit Request, Door Monitoring, Anti Pass back, Man-trap, Car Parking Control
- Alarm Integration (Arm and Disarm the Building when you enter and Exit)
- Dual Path Back to Base Alarm Signal Support with Optional TCD adapter
- Free Evolution Management Software



XPort Direct+ LAN Ethernet Module

LAXPD100100S

- Integrated module with RJ45 and dedicated networking SoC
- Web server, TCP/IP protocol
- Compact low profile (<12 mm)
- RS-232/RS-485 ready
- 256-bit AES encryption for secure communications.



RS232 - RS485 COM Converter USB 4606

CS4600

- Supplied with PC USB adapter cable
- Device is powered via USB cable
- USB device appears as an additional COM port to the PC
- Application software able to access the USB device.



FREE DELIVERY!* for all orders over \$150 *Exclusions apply.



Security Tech Germany

SALTO
inspired access



locking for life



ASSA ABLOY



neptune
Security Products

ADVANCED
DIAGNOSTICS

ADI
lockwise



LSC FREIGHT: GETTING IT TO YOU SAFELY

From January this year the government announced new rules around carriage of dangerous goods. This applied mainly to air-freight, but also impacted road freight services.

The rules are a complex set of overlapping layers regarding different classes of goods, the quantity of goods, how they are mixed with other goods and the desired freight method. On top of that, different carriers have different rules as well.

While our industry is (thankfully) not involved primarily with the shipment of chemicals, flammable or toxic substances; items such as aerosol cans (lubricant) and lithium coin cell batteries are under the microscope. Aerosol lubricant contains flammable ingredients, and lithium batteries are highly flammable under some (thankfully extremely limited) conditions.

With that in mind LSC is obliged to declare shipments containing Dangerous Goods like those above. Carriers have additional safety obligations when carrying these items and in certain cases this impacts cost.

We suggest customers order these items in bulk where possible as it typically makes no difference if one or six cans of lube are included, or if one or ten batteries are included.

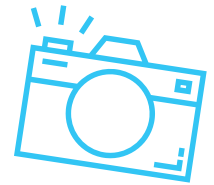
Our customer service team can run through different freight options with you to ensure value is maximised – if in doubt please ask!



LSC'S DISTRIBUTION CENTRE IS OPEN AND PROCESSING ORDERS

We are working to ensure the continued safe operation of our business, to protect our employees and support you.

HAPPY CUSTOMERS



TERRY'S LOCKSMITH & SECURITY SOLUTIONS (QLD)



Kent Fegan of Terry's Locksmith & Security Solutions standing proudly with the Advanced Diagnostics SMART Pro.

TOOWOOMBA LOCKSMITHS (QLD)



Todd from Toowoomba Locksmiths showing off his new Advanced Diagnostics SMART Pro.

LOCKFAST LOCKSMITHS (QLD)



Steve from Lockfast Locksmiths in Dalby with his new Silca Futura Pro.

PROCARE LOCKSMITHS (WA)



Aaron, Rick & Clayton from Procure Locksmiths with their new Silca Futura Pro.

PRESTIGE LOCK SERVICE (WA)



Jai from Prestige Lock Service with the new Silca Unocode 299 & Silca Triax Pro.

CONCEPT LOCKSMITHS (QLD)



Shaun from Concept Locksmiths with his new Advanced Diagnostics SMART Pro.



Look for opportunities with these reduced touch products

Help the community stop the spread

-  Food distribution centres
-  Hospitals
-  Warehouses
-  Convenience stores
-  Service stations
-  Fast food
-  Manufacturing



Visit lsc.com.au for our comprehensive range of reduced touch products



TERMS & CONDITIONS

Product features and pricing in this newsletter are subject to change without notice. Special promotional prices advertised here are for the month the newsletter has been published. However, some offers may commence on or extend beyond the promotional period. Most products have been photographed in-house and are identical to what you will receive. Information presented in this newsletter has been checked and is believed to be correct at the time of printing, however, errors and omissions may occur. LSC can not guarantee prices, specifications, or features of products that may change after printing.