

LSC

NEWSLETTER



LSC 

March 2020 | Issue 440

THIS MONTH:
20 YEARS OF ADVANCED DIAGNOSTICS
ABUS ADJUSTABLE SHACKLE PADLOCK
BORG GATE LOCKS



Security Tech Germany



64TI/50 PADLOCK

- Hardened steel shackle with NANO PROTECT™ coating
- Double bolted shackle
- Precision cylinder with paracentric keyway
- Supplied KD DP or KA Boxed

PART CODES:

64TI50HB60150C
 ABUS Padlock 64TI/50HB60/150 Adjustable Shackle KD DP
 64TI50HB60150KA11
 ABUS Padlock 64TI/50HB60/150 Adjustable Shackle KA6501 BX

lightweight yet robust!



Key GARAGE

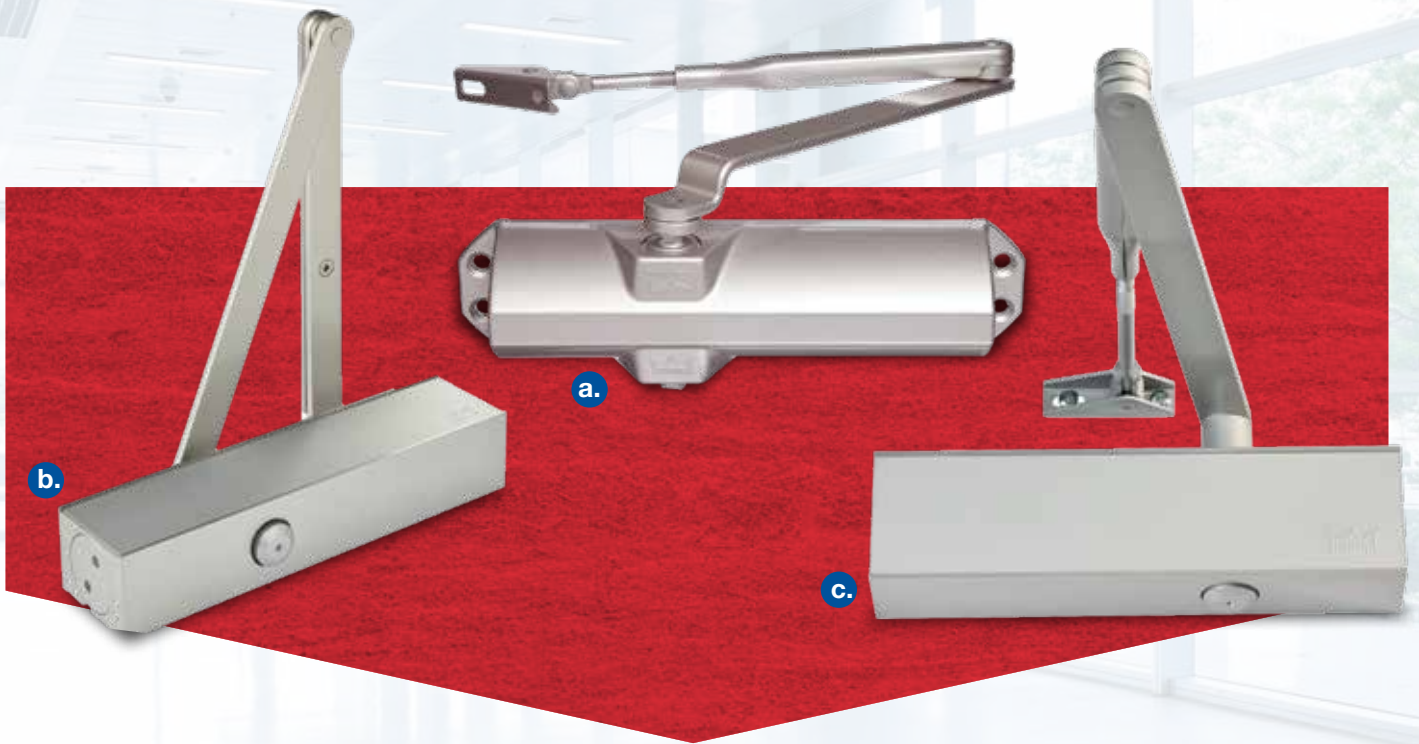
- Wall mount or padlock style models available
- Resettable 4 wheel combination
- Coin cell battery (CR2032) can be easily replaced
- Durability of battery when used 1 x per day approximately 2 years
- LEDs lights up for 30 seconds
- Hinged drop-down door
- Protective slide up dust cover for combination
- Steel body and back plate
- Finished in black

PART CODE:

KG787LEDC
 ABUS Key Garage KG787 with Mount Dial Mechanism with LED DP
 KG797LEDC
 ABUS Key Garage KG797 Padlock Dial Mechanism with LED DP



Ideal for office buildings or private homes!



a. TS68 EN2-4 Door Closer
DOTS6800SIL

b. TS83 EN3-6 Door Closer
DOTS8300SIL

c. TS73 EN 1-4 Door Closer
DOTS7300SIL



Dormakaba Door Closers

Whether for private homes or contemporary office buildings, door closer systems from dormakaba are intelligent, integrated access solutions that combine consistency, convenience, design and premium quality. The wide-ranging product portfolio satisfies a broad spectrum of functional requirements and thus offers solutions for almost any individual door situation.



SAM MILLAR

RUSWIN INTEGRATED SECURITY SYSTEMS | QLD

AUSTRALIA'S BEST YOUNG LOCKSMITH 2019

ABYL WINNER 2019

We had a brilliant response from young locksmiths across the country. Ultimately, there could only be one winner, and after a final round of judging Sam Millar of Ruswin Integrated Security Systems was crowned Australia's Best Young Locksmith 2019.

Sam was flown to Melbourne for a tour of several industry specialist sites while enjoying the city with a couple nights of accommodation. Sam was presented with the ABYL trophy and prizes by LSC CEO, Mark Johnson.



OUR SUPPORTERS

We are grateful to Assa Abloy, Sutton Tools and KJ Ross for their continued support. Each of these sponsors has supported the ABYL competition since its inception in 2012.

AMC jumped onboard as a new sponsor in 2017 and has been a great addition. The support that our sponsors provide ABYL lets us run a great competition and continue to advocate for young locksmiths across the country.



ASSA ABLOY



suttontools



PRODUCT SPOTLIGHT

M5 SERIES DIGITAL SMART LOCKS

2 HOUR
FIRE RATED

BLUETOOTH

TOUCH
KEYPAD

BATTERY
POWERED

Change the way you think about home security and upgrade to a dormakaba digital door lock with the new M Series BLE smart locks. Allowing you to unlock your door with a PIN, an RFID Card/Fob, a key or a Smart phone via Bluetooth.

Designed with elegance, matched with the convenience of the smart features and functions whilst not compromising on security, reliability and performance. Giving you the ultimate control of your home security.

Also Available: DKM5BLENIB [Nickel Black Finish (Silver Trim)]

dormakaba



DKM5BLEMB [Black finish]

BRAVA

locking for life



LE600B

URBAN LEVERSETS

BRAVA LE Urban Leversets available in all your favourite finishes; Satin Stainless Steel, Chrome Plated or Matt Black.

Upgrade your customers with a modern design and great pricing.

Available in entrance, passage, privacy and dummy.

NEW VICTORIAN GOVERNMENT POLICY

Possibly coming to a school near you!

With the Victorian Government implementing a "mobile phone ban during school hours" this year & Tasmania following suit in Term 2, don't be surprised that other states & territories may follow.

Be proactive discuss with your customer/schools
Avoid last minute orders & possible supply issues

<https://www.premier.vic.gov.au/secure-storage-for-schools-to-roll-out-mobile-phone-ban/>

ABUS
Security Tech Germany



LOVE IT?
LOCK IT

PRECISION
GERMAN
ENGINEERING



78KC50NKA501



FREE DELIVERY!* for all orders over \$150 *Exclusions apply.

LSC



CARSOFT SUPERVAG MARCH MADNESS

Carsoft SuperVAG announces special offers on renewing lapsed subscription licences and the trading in of superseded interfaces.

Subscription licence lapsed for 2 or more years?



27% OFF NORMAL PRICE

CHECK WEBSITE FOR SPECIAL PRICING

30% OFF NORMAL PRICE

Subscription Restart

5229531114

The restart allows customers to update their interface to the latest licence version

Interface Trade in Only

5229531113

Update old interface to the latest version 7i

Interface Trade In + Restart Combo

5229531117

Update old interface for latest version 7i and restart lapsed licence



TECHED

Upcoming Course!

ADVANCED EEPROM, MCU & SOLDERING

Programming Advanced MCU Memory Devices and Soldering

Designed for users already familiar with basic 8 lead (leg) EEPROM in-circuit reading and writing, participants will develop a detailed understanding of memory functionality, discover and practice various methods of reading and processing BIN files, and undertake both theory and practical training on surface mount soldering and de-soldering.



**23
MAR**

**24
MAR**

AEE 102

LSC Distribution & Training Centre, Brooklyn, Melbourne

Limited places means early registration is a must!



USE THE CHIP YOU CAN TRUST FOR THE LONG TERM

Why risk that your customers key stops working when they least expect it?

Silca's GTIW carbon wedge chips are rigorously tested and certified to conform to the strictest CE tests, and comply with EN300330, the test for signal conformity, stability and quality. When the GTIW talks to your car, the car doesn't have to strain to listen. The GTIW chip gives exactly the right signal, at the right frequency, at the right moment. It does so again and again without degradation.



Trust in Silca →

Silca GTIW Universal Wedge Clonable Transponder SGTIW

- OEM quality certified chip
- Highly reliable, rugged, dependable
- Compatible with all Texas Instruments Fixed & Crypto and Philips Crypto original transponders



SMART AERIAL

SMART Aerial ADC242

Since its initial release the functionality of the Smart Aerial has been greatly enhanced. Used in conjunction with the Smart Pro the ADC242 Smart Aerial is capable of;

- Identification of transponders
- Greatly increased transponder production to include Texas Crypto, Texas 80 Bit, Philips Crypto, PH/CR2, Texas 128 Bit, Philips Crypto 3
- Precodes aftermarket transponders with vehicle specific data to allow for diagnostic programming; BMW CAS3, Fiat precoding, VW Component Security, VW MQB precoding, Renault precoding and more





2020 MARKS THE 20TH ANNIVERSARY

The UK based company were and continue to be true pioneers in the development of key and remote programming solutions. Over the past 20 years many competitors have come and gone as have inferior imitations of the Advanced Diagnostics product range.

Since its launch in 2018 the SMART Pro™ has been a huge success. Software development ceased for the AD100 Pro/MVP Pro in 2019, as many AD100 Pro/MVP Pro users had transitioned to SMART Pro™ during 2018. Since then new software releases from Advanced Diagnostics are exclusive to the SMART Pro™ only.

These new Smart Pro only releases, some of which were world firsts include:

- ADS2275 8C Code Word
- ADS2223 Holden Captiva
- ADS2263 BMW Mini
- ADS2267 MAZDA 2018/2019
- ADS2269 Ford 2019
- ADS2274 GM PIN Read
- ADS2279 GM 2018
- ADS2280 Hyundai/Kia
- ADS2281 Mitsubishi 2017
- ADS2287 Renault 2019
- ADS2291 Chrysler / Dodge 2019
- ADS2292 VW MQB

2000

AD100 Classic



2003

MVP Classic



2006

AD100Pro or MVP Pro



2010

AD103/AD104 Smart Card & Calculator



TCL Security

“

The Advanced Diagnostics SMART Pro™, in my opinion is the most powerful and efficient key programming tool released in my 10 years experience in the automotive locksmithing industry.

Thanks to the user friendly SMART Pro™, the once heavily relied upon technical support is now reserved for the more complicated and advanced enquires, for which the highly intelligent, well trained, and experienced staff are always able to formulate a useful answer.

Overall the interface, use-ability and coverage far outshines any other key programming tool I have used. With the rate at which updates and improvements are released by Advanced Diagnostics, there's no doubt that it will continue to lead the market for many years to come.

Joel Farkas TCL Security Cairns Queensland

”

ANNIVERSARY OF *ADVANCED* DIAGNOSTICS

Advanced Diagnostics SMART Pro™ still delivers the broadest coverage of any key and remote programming tool in the market today. While the average age of the automotive fleet in Australia is approximately 10 years, the SMART Pro™ provides coverage, manufacturer specific, from late 1990s through to current 2020 builds. Recent examples of bug fixes being applied to older vehicles include GM IMMO 1/2, Landrover Discovery bar code remotes and Nissan NATS 2 as found in older patrol models.

This commitment to cover older vehicles while maintaining pace with new model releases extends the capabilities of SMART Pro™ far beyond that of other tools. Simply put no other tool matches SMART Pro™ for coverage.

LSC have been a distributor of the Advanced Diagnostics product range for most of the 20 years. The collaborative approach to software development together with a high level of local technical support means end users are guaranteed that development and support for the local market is to the forefront.

Points to consider when purchasing a diagnostic tool:

- Longevity of the developer in the market
- Historical life cycle of the developer's products
- Continued ongoing development relevant to local market
- High level local technical support
- Safe and secure software
- Potential modification or damage to the vehicle from inferior tools

2014



**acquisition of
Advanced Diagnostics**

2015

ADC240 Smart Dongle



2016

ADC242 Smart Aerial



*Key not included

2018

**SMART Pro™
Released**





“ We have been using the SMART Pro™ for over a year now, this unique and versatile machine has really expanded our range and confidence in the automotive world.

The Smart Pro's features make programming easy to achieve with clear menus and step by step procedures which is essential for successful key programming.

One of my favourite features of the SMART Pro™ is the in depth vehicle descriptions and information which is unlike any other machine I have used in the past.

The SMART Pro™ consistently delivers efficient and reliable key programming on a daily basis and the support for the machine is unparalleled.

”

Adoni, St George Locksmiths Sydney

BORG DIGITAL GATE LOCKS STANDARD & ECP

- Borg Gatelocks are unique, simple to use & easy to fit
- A special lockcase with anti-climb features and an adjustable latch bolt
- The self locking system is designed to be as adjustable as possible
- Fully reversible, makes it suitable for left or right handed gates
- Now with on-door Easi-Code Pro code changing
- Featuring marine grade pro finish with either 2 x keypads (back to back) or single keypad/egress lever inside
- Using the two telescopic fixing screws (supplied), makes the gate lock simple to fit
- Designed to fit metal gates of various sizes and types



3430 BTB Keypad Lever

BL3430DKOMGPROECP



3430 BTB Keypad Lever

BL3430MGPROECP



3400 Lever

BL3400MGPROECP



3150 BTB Keypad Lever

BL3150GATE



3430 BTB Keypad Lever

BL3430GATE



NO. 1 SELLER!

5004 Satin Chrome Lock Bolt 44142000

The ADI 5004 heavy duty locking bolt is the industry standard.

- 45 x 155 mm body size.
- Hardened 203 mm (8") bolt as standard
- 13 mm diameter bolt with 50 mm throw
- Hardened strike plate



SL5 Satin Chrome Slimline Lock Bolt 44143000

The ADI SL5 narrow style heavy duty locking bolt is the industry standard.

- 32 x 144 mm body size.
- Hardened 178 mm (7") bolt as standard
- 13 mm diameter bolt with 45 mm throw
- Reversible bolt



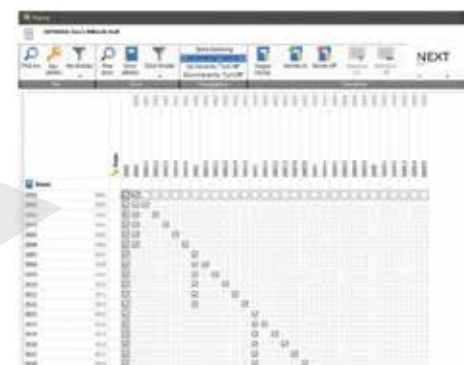
BID, WIN AND MANAGE THE BIGGEST KEYING JOBS WITH PM8

ProMaster Master Keying 8 is without a doubt, the most comprehensive and easy to use master-key system management tool available anywhere in the world. This comprehensive software is powerful, versatile and robust, and has been designed to meet the requirements of lock manufacturers and professional locksmiths worldwide.

ProMaster8 Masterkeying Software

PM8-PREMIUM

- Use the system the biggest and most professional companies use
- System designs limited only by the capabilities of the lock and key you choose
- Industrial strength database security and reliability
- Premium, modern, easy to use interface
- Design masterkey systems for virtually any type of cylinder from every important manufacturer in the world





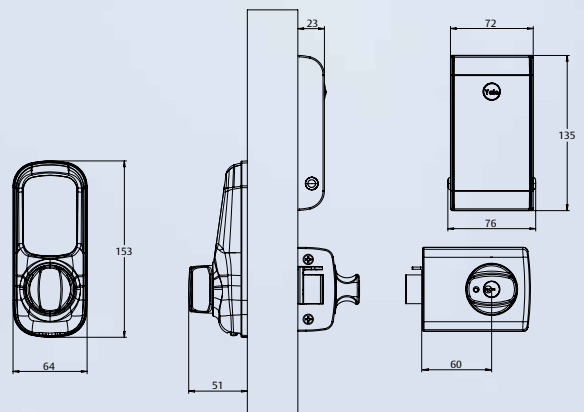
Keyless Digital Deadlatch Upgrade Kit



Upgrading the old to the new is now easier with The Keyless Digital Deadlatch Upgrade Kit. Upgrade your mechanical Lockwood 001 or 002 or Whitco W75 series deadlatch, to a digital lock within minutes.

By upgrading to the Digital Deadlatch allows users to access their home via PIN code without the need to carry their keys. Users can add up to 20 user PIN codes and 20 key tags/cards, allowing shared access to family members, cleaners or visitors. PIN Codes can also be time controlled for a period of up to 24hrs allowing visitors to access the lock within the given time.

PART CODE: YRD01KDLNRCP



THE VERROO SMART RANGE

- Controlled by the Verroo App
- 3 Access levels, Owner, Admin and Normal
- Up to 1,000 users (model dependant)
- Timed access eKeys
- Passage Mode
- Customisable unlock time
- 1,000 Event audit trail
- Battery saving features
- Battery life indicator in App
- iOS, Android compatible



The Verroo Smart Mortice Strike shares the industry standard electric strike footprint and is an ideal solution for your commercial premises. It is a perfect solution where the premises existing access control system is no longer working. Unique to the Verroo Smart Mortice is the optional ordering addition of a key operated lock out cylinder giving the ability to quickly lock out all eKey access in an emergency situation.

38000NBK03N	30 users
38000NBK03N200	200 users
38000NBK03N1000	1,000 users

COMING SOON



The Verroo Smart Rim Strike retrofits with the most common rim mounted deadlatches in the Australian market. Available in timber and metal frame fix the Verroo strike offers a simple and inexpensive Smart Lock upgrade solution for your door.

58001NSC03	Metal frame / 30 users
58001NSC03200	Metal frame / 200 users
58001NSC031000	Metal frame / 1,000 users
58002NSC03	Timber frame / 30 users
58002NSC03200	Timber frame / 200 users
58002NSC031000	Timber frame / 1,000 users



The Verroo Smart Controller and Compact Strike Kit is an ideal solution for your residential or semi-commercial premises. The Compact Strike has been designed to complement a range of existing hardware from common entrance sets through to commercially rated mortice locks. The unique and compact footprint of the Strike allows fitting in most narrow door frames by reducing the amount of material to be removed.

20003KIT	30 users
20003200KIT	200 users
200031000KIT	1,000 users





locking for life



ASSA ABLOY



NEWS & EVENTS

BRANCH MEETINGS



SAVE THE DATES

3 MAR	6 MAR	10 MAR	11 MAR	17 MAR
NSW	QLD	WA	SA	NZ
6PM - 9PM	6PM - 9PM	6PM - 9PM	6PM - 9PM	6PM - 9PM

Visit <http://mlaa.org.au/events/> for more information



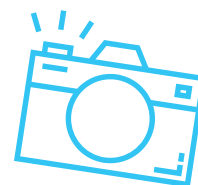
ABUS SPONSOR LOCAL TALENT

ABUS are proud to sponsor Stacey Van Wetering a rising star in the world of Superbike Racing. Now in its third year, this sponsorship continues to provide a welcome opportunity for ABUS to promote their LOVE IT? LOCK IT™ message to over 25,000 racegoers over the season.

Alongside the branded racing mat, bike and flags, ABUS have provided Stacey with a Granit WBA 60 Anchor, ABUS Chain 14MKS & 8KS, 1200 Chain Combo Lock, ABUS Rock 83/55 and Granit 37/55 to keep her Aprilia RSV4 safe and secure when it's not zooming around the track. Because if you love it, you should lock it with ABUS.

We wish Stacey the best of luck for the start of her 2020 season, which kicks off on the 7th of March with Round 1 of the Hartwell MCC Championship at McNamara Park, Mount Gambier.

HAPPY CUSTOMERS



SHAINE HUNTER LOCKSMITHS (QLD)



Shaine from Shaine Hunter Locksmiths, Mt Isa with his new Silca Unocode 299.

OLYMPIC LOCKSMITHS (NSW)



Congratulations to Peter Lloyd showing off the latest additions to their Silca family. Introducing the new Poker Pro and Triax Pro.

ACORN LOCKSMITHS (NSW)



Norm Axford and Daniel Zucchetto from Acorn Locksmiths now have the EDGE! taking ownership of their new Silca Futura Edge.

DIAMOND LOCK & SECURITY (WA)



Tyler from Diamond Lock & Security pictured with his new Silca Futura Edge.

COMPLETE LOCK & KEY (WA)



John from Complete Lock & Key pictured with his new Silca Futura Edge.

RODD LOCKSMITHS (VIC)



Charlie and Brenden from Rodd Locksmiths happily pictured with a Silca Futura Pro.



With Creative Keys at LSC

FOOTY SEASON IS BACK!



**Grab your
FOOTY FLIP &
JERSEY 3D KEY!**



www.creativekeys.com

Proudly produced under license by
Creative Keys Limited.



TERMS & CONDITIONS

Product features and pricing in this newsletter are subject to change without notice. Special promotional prices advertised here are for the month the newsletter has been published. However, some offers may commence on or extend beyond the promotional period. Most products have been photographed in-house and are identical to what you will receive. Information presented in this newsletter has been checked and is believed to be correct at the time of printing, however, errors and omissions may occur. LSC can not guarantee prices, specifications, or features of products that may change after printing.