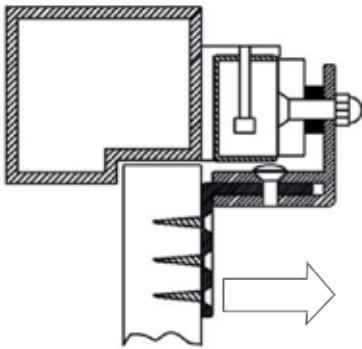


## Specification

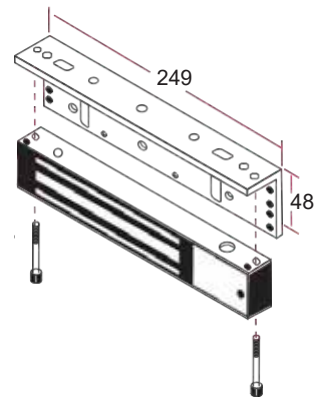
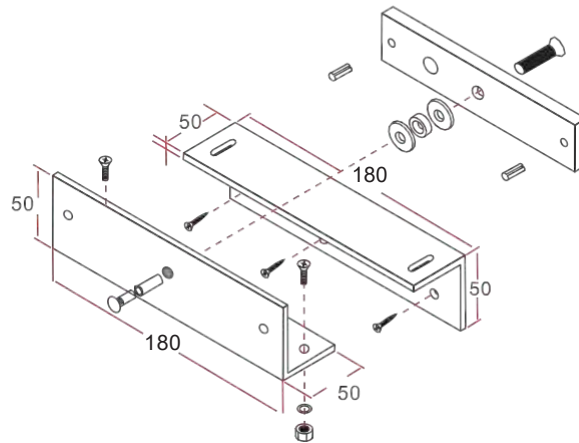
Model	Size (unit:mm)	Suitable For	Used With	Weight
NEMLB3 NEMLB3B	Z: 180L x 50W x 50H L: 249L x 48W x 28.5H	Inward-opening, narrow frame and metal doors	Neptune 280 Series Maglocks	0.75kg
NEMLB6 NEMLB6B	Z: 185L x 60W x 60H L: 265L x 70W x 42H	Inward-opening, narrow frame and metal doors	Neptune 500 Series Maglocks	1.3kg

## Installation

1. For inward opening doors, first install the lock body inside and then you will need to install the LZ bracket.
2. Remove the mounting plate from lock body.
3. Fix the L bracket on the door frame and then fix the lock body on the L bracket.
4. Assemble the Z bracket and then fix it to the door frame.
5. Fix the armature plate on to the Z bracket.



Inward opening door installation



\*Neptune 280 Series Maglock dimensions