



QUICK START GUIDE

4G Solar-powered Traffic Sensing Camera



User Manual



Datasheet



All Software & files can be downloaded from
<https://www.milesight.com/support/download>

Better Inside, More in Sight

Milesight | www.milesight.com

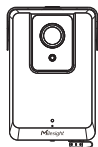
Install Anywhere, Snap Anytime



Table of Content

1. Package Contents.....	2
2. Hardware Overview.....	3
3. Interfaces.....	4
4. Installation.....	4
5. Configuration.....	8
6. Dimensions.....	11
7. FCC Statement.....	12

1. Package Contents



4G Solar-powered Traffic Sensing Camera x1



Solar Panel Cable (0.5m) x1



USB Type-C Charging Cable x1



Screwdriver x1



3-Axis Ball Mounting Bracket x1
Screw of Bracket x1



Strap x2



Screw Packet x1

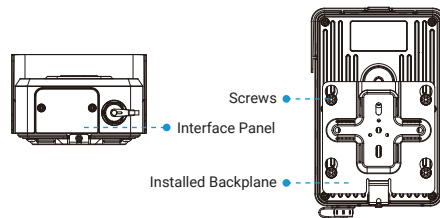
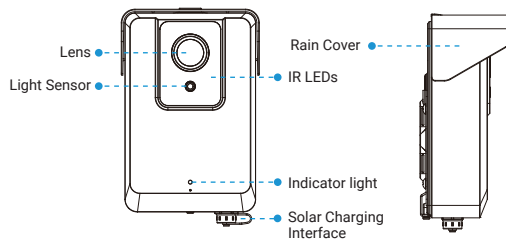


Warranty Card



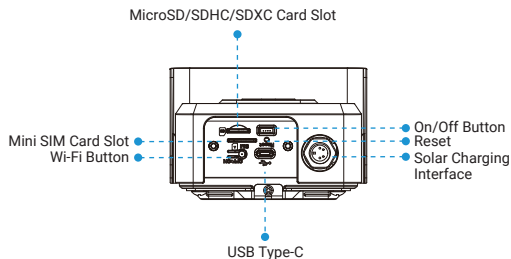
Quick Start Guide x1

2. Hardware Overview



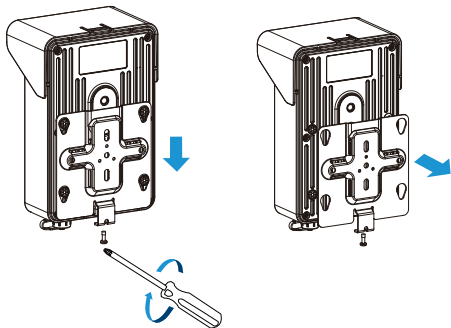
Note: The Positive Terminal of the Solar Panel Cable needs to be connected to the Negative Terminal of the solar panel, and the Negative Terminal needs to be connected to the Positive Terminal of the solar panel.

3. Interfaces



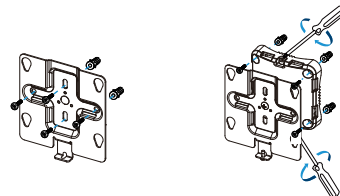
4. Installation

Step 1: Loosen the screw at the bottom of the backplane and remove the backplane.

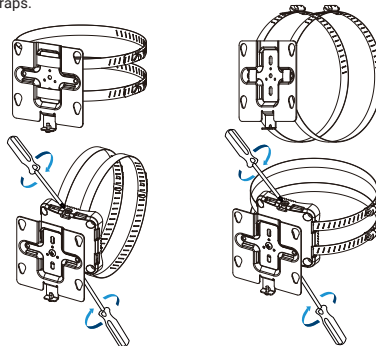


Step 2: Fix the backplane in the position where the device is intended to be installed. Multiple installation methods are available depending on the installation location:

① Mount directly on the wall, or mount on the wall via 3-Axis Ball Mounting Bracket.



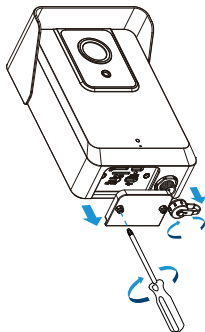
② Pole Mount with the straps, or Pole Mount with 3-Axis Ball Mounting Bracket and the straps.



Note:

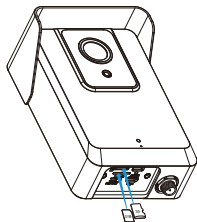
1. The 3-Axis Ball Bracket can support the equipment to rotate 360° to adjust the monitoring Angle, meeting various installation environments.
2. There is a screw above and below the 3-Axis Ball Bracket. When adjusting the installation Angle, it is necessary to pay attention to the loosening of one and the tightening of the other.

Step 3: Loosen the screws of Interface Panel and remove the cover. And remove the Solar Charging Interface cover.

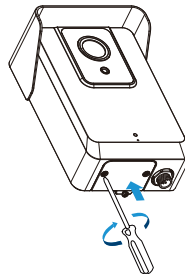


Step 4: Insert the SD Card and SIM Card.

Note: If you need to configure the device, please refer to "5.Configuration" on page 8 of this Quick Start Guide.



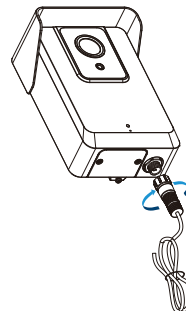
Step 5: Cover back the Interface Panel and fix the screws.



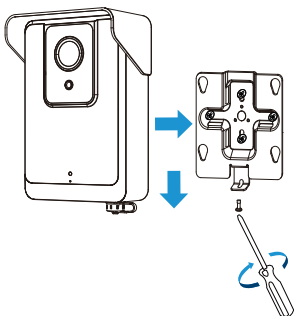
Step 6: Connect the solar panel to the Solar Charging Interface.

Note:

1. The product does not include solar panel.
2. The device has battery inside, when the solar power supply is insufficient, it can be powered by battery; When the battery is low, it can be charged using USB Type-C.



Step 7: Connect the device to the Installed Backplane and tighten the fixing screws. The installation is completed.

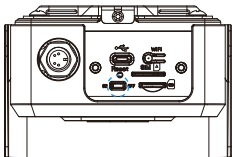


5. Configuration

Step 1: Adjust the switch button to On to start the device.

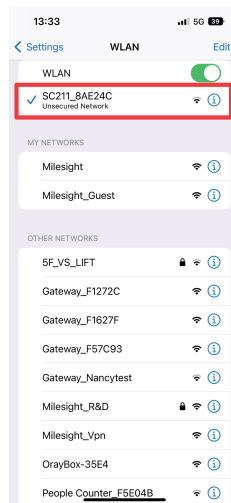
Note:

1. When the device is being powered on, the indicator in front of the device will blink green until the device is powered on. And When the device is turned off, the indicator in front of the device will blink green twice to indicate. The Wi-Fi of device is automatically enabled when the device is powered on.
2. The indicator light will be red to indicate when the device cannot be started due to low power.



Step 2: Use mobile devices or laptop to connect to the device's Wi-Fi.

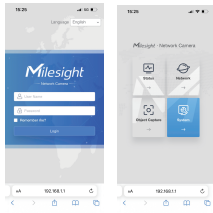
Note: The Wi-Fi name is SC211_XXXXXX (XXXXXX is the last six bits of the MAC address).



Step 3: Enter the IP address 192.168.1.1 in the browser to log in to the web page of the device and configure the device.

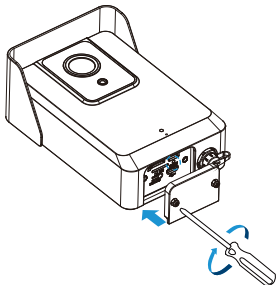
Note:

1. Default Username/Password: admin/ms123456
2. The IP address of the device cannot be modified.
3. For more information about how to configure the device, please refer to the User Manual.

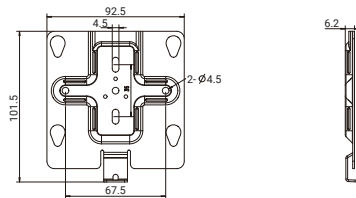
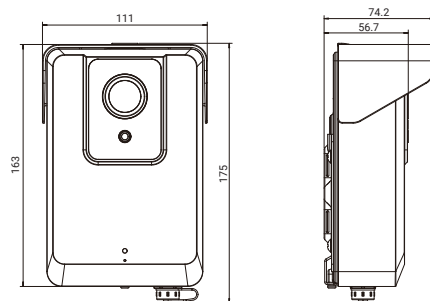


Step 4: After completing the device configuration, click the Wi-Fi button to disable the device Wi-Fi and cover back the interface panel to ensure data security.

Note: Long press the reset button for 3s to reset the device. When the device is reset successfully, the indicator will blink green twice.



6. Dimensions



7. FCC Statement

Any Changes or modifications not expressly approved by the party responsible for compliance could void the user's authority to operate the equipment.

This device complies with part 15 of the FCC Rules. Operation is subject to the following two conditions:

1. This device may not cause harmful interference.
2. This device must accept any interference received, including interference that may cause undesired operation.

Note: This equipment has been tested and found to comply with the limits for a Class B digital device, pursuant to part 15 of the FCC Rules. These limits are designed to provide reasonable protection against harmful interference in a residential installation. This equipment generates, uses and can radiate radio frequency energy and, if not installed and used in accordance with the instructions, may cause harmful interference to radio communications. However, there is no guarantee that interference will not occur in a particular installation. If this equipment does cause harmful interference to radio or television reception, which can be determined by turning the equipment off and on, the user is encouraged to try to correct the interference by one or more of the following measures:

- 1.Reorient or relocate the receiving antenna.
- 2.Increase the separation between the equipment and receiver.
- 3.Connect the equipment into an outlet on a circuit different from that to which the receiver is connected.
- 4.Consult the dealer or an experienced radio/TV technician for help.

FCC Radiation Exposure Statement:

This equipment complies with FCC radiation exposure limits set forth for an uncontrolled environment. This equipment should be installed and operated with minimum distance 20cm between the radiator& your body. This transmitter must not be co-located or operating in conjunction with any other antenna or transmitter.

客户	
机型	SC211
材质	200g铜版纸+80g双胶纸
尺寸	120x85mm
工艺	骑马钉，封面覆哑膜
编码	43.005.000178
版本	V2.0