

MLKPRBH52 User Guide

mcgrathlocks.com.au



Download and install the McGrath Locks App
Enable your smart phone to scan QR code to download the app. Also you can search "McGrath Locks" on Apple Store or Google Play to download the app.

Introduction

RBH52 is a standalone access controller works with TTLock APP. It supports managing the users (Fingerprint, PIN, E-key, Mifare Card) through the APP, also can use APP to unlock. The keypad supports firmware updates, and software functions can be extended through firmware updates.

APP E-key, Fingerprint, PIN, Mifare card users can be specified the expiry date (start time-end time), only within the expiry date can unlock. APP supports multiple languages.

Specifications

Bluetooth /WIFI	BLE Bluetooth (Ble 5.0),2.4G WIFI
Mobile Phone	Android 4.3/IOS7.0 above
PIN User Capacity	Custom password 250 dynamic password:No limitation
Card User Capacity	1000
Card Type	13.56MHz Mifare card, M1 card
Fingerprint User Capacity	500
Multi-language	English, Spanish, French,German, Italian, Russian, Portuguese, Serbian, Malaysian, Japanese, Vietnamese etc
Card Reading Distance	2-4 cm
Keypad	Capacitive TouchKey
Operating Voltage	12V DC
Working Current	≤80mA
Lock Output Load	≤2A
Operating Temperature	-20°C-+60C
Operating Humidity	0%RH-98%RH
For Outdoor	Waterproof, IP67

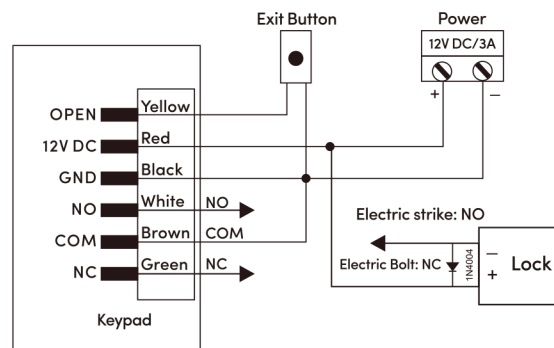
01

Wiring

Wire Color	Function	Notes
Red	Power	12V DC Regulated Power Input
Black	GND	Ground
Yellow	OPEN	Request to Exit (REX)
Green	NC	Normally closed Relay Output
Brown	COM	Common Connection for Relay Output
White	NO	Normally Open Relay Output

Diagram

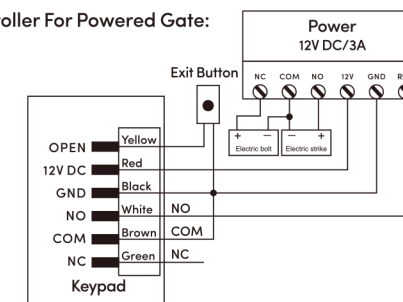
Common power supply:



Attention: Install a 1N4004 or equivalent diode is needed when use a common power supply, or the keypad might be damaged. (1N4004 is included in the packing)

02

Controller For Powered Gate:



RECOMMENDED: LOCK SETUP WITH APP

It is highly recommended to set up the lock using the McGrath Locks App.

The app simplifies programming and provides an easier way to manage your locks.



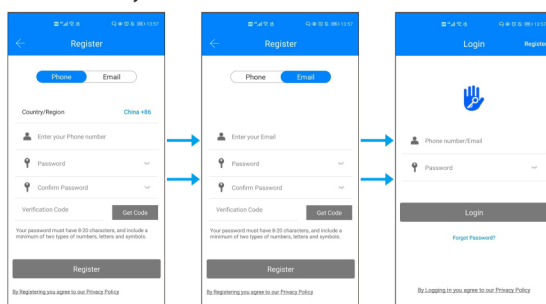
DOWNLOAD & INSTALL

03

1. Register and Log in

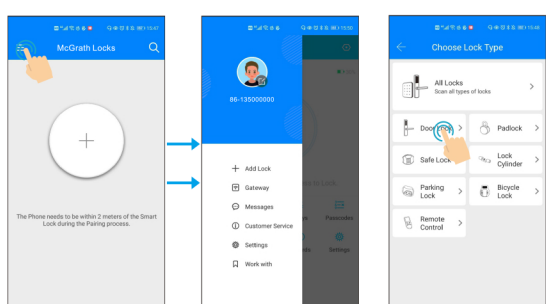
Users can register the account by email or mobile number. When registering, users will receive a 'verification code' from email box or mobile message.

(Note: if password forgotten, it can be reset by registered email or mobile number)



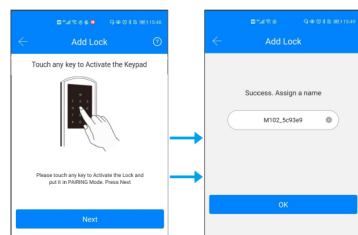
2. Add Device

Add device by clicking '+' on the screen or '≡' on the left. Click "Door Lock" to add.



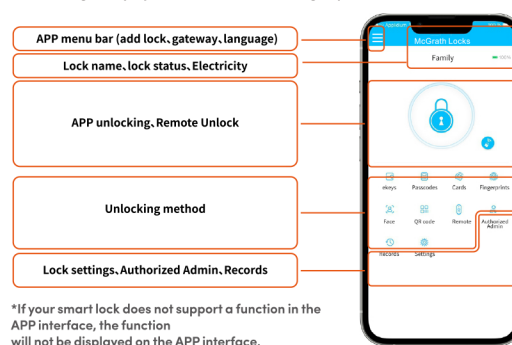
04

First need to touch any key on the keypad to activate the keypad. Then users can choose to name the keypad.



3. Overview key features

After adding lock, you can grant access permissions to others, including ekey, passcode, card, fingerprint, face, and etc.



*If your smart lock does not support a function in the APP interface, the function will not be displayed on the APP interface.

Manual set up via keypad only

Please follow the instructions below to manually program the lock using the keypad.

You can add a BLE device after the lock is programmed manually provided you know the admin code.

*83# > Admin Code# > Add lock via app

05

CREATE NEW ACCESS

Add administrator (only 1)

*12# > 123 456# > New Code# > New Code#

- Enter *12#
- Input 123456# (the default code)
- Input new code#
- Repeat new code#

Tips: If you use the app a 4 digit admin code can be set.

Add a new user with an access / PIN code (250 maximum)

*80# > Admin Code# > New Code# > New Code#

- Enter *80#
- Input admin code#
- Input user code# (6-9 digits)
- Repeat new user code#

Tips: If you use the app a 4 digit user code can be set.

Add a new user with an RFID card (1000 maximum)

*80# > Admin Code# > RFID

- Enter *80#
- Input admin code#
- Present the card to the card sensor area

Add a new user with fingerprint (500 maximum)

*80# > Admin Code# > Input Fingerprint

- Enter *80#
- Input admin code#
- Present fingerprint 4 times

MODIFY CODE

Modify admin code

*12# > Admin Code# > New Code# > New Code#

- Enter *12#
- Input old admin code#
- Input new admin code#
- Repeat the new admin code#

06

Modify user code

*10# > User Code# > New Code# > New Code#

- Enter *10#
- Input old user code#
- Input new user code#
- Repeat the new user code#

DELETE USER

Delete specified PIN code
*72# > Admin Code# > Specified code#

- Enter *72#
- Input admin code#
- Input the specified code# that you wanted to delete

Tips: The admin code cannot be deleted.

Delete all user codes Delete all fingerprint Delete all RFID cards

*71# > Admin Code# *70# > Admin Code# *69# > Admin Code#

- Enter *71#
- Input admin code#
- Enter *70#
- Input admin code#
- Enter *69#
- Input admin code#

INCORRECT CODE / CARD ALERT

If the wrong unlocking information is inputted five times the system will be locked out for 35 seconds. The lock can only be operated by the app during the lockout period.

PASSAGE MODE

Passage mode keeps the door unlocked, useful when gardening or bringing in groceries from the car etc.

- To activate passage mode, enter a valid unlock code then press 123# within 5 seconds. The door will remain unlocked.
- To remove from passage mode, unlock using a valid code or card. If you engage passage mode via the app you must use the app to disengage passage mode.

07