

# ES9100 Series Pre-Load Strike with Door Position Monitoring

## Overview

Following on from the extremely popular and industry leading Lockwood/Trimec ES9000 Pre-Load Electric Strike, the Lockwood ES9100 Electric Strike provides all the key features and specifications of the ES9000 but with the added inclusion of Door Position Monitoring (DPS) via an integrated Reed Switch. The ES9100 body is also pre-drilled for the inclusion of 25mm, 50mm or 75mm Extension Lips, if required.

The Lockwood Padde Series ES9100 has been designed to suit the harshest commercial environments, and has the unique feature of the ability to operate with up to 25kg of pre-load pressure on the keeper. Pre-load is a common condition that is caused by pulling on a door before it unlocks, the weight of warped or drooping doors, seals on fire doors or by differential air pressure created when heating and cooling systems are in use. Standard features include multi voltage 10 - 30VDC and field changeable settings from fail safe to fail secure. Built to last, this is a premium locking solution that has been tested in excess of 2 million cycles and boasts unique features like no other available on the market today.



## Features

- Operates under pre load up to 25kg
- Door Position Monitoring Output
- Lock Status and Latch Position Monitoring Output
- Easy field selectable fail safe/fail secure
- Multi voltage 10-30VDC
- 1300kg holding force
- 2.5 million cycles endurance rating
- Latch keeper is significantly quieter in operation
- Weather resistant (IP54)
- Pre-Drilled for Extension Lips
- Mounting tabs included
- Non handed
- 5 Year Tricare Warranty (Padde Series)
- Built in Protection Diode

## Applications




- High traffic areas
- Doors subjected to side load (pre load)
- Fire rated door sets
- Inward and Outward opening doors
- Suitable for use with all access control systems

# ES9100 Series Pre-Load Strike with Door Position Monitoring

## Product Specifications

<b>Voltage:</b>	10 to 30VDC
<b>Current:</b>	250mA @ 12VDC, 130mA @ 24VDC
<b>Monitoring:</b>	Solenoid (1 Amp NO/NC), Door/Latch (1 Amp NO/NC) Door Position (1 Amp NC)
<b>Holding Force:</b>	1300kg Static Strength Rating
<b>Endurance:</b>	1,200,000 cycles @ 25kg Pre-Load, 2,500,000 cycles without Pre-Load
<b>Latching:</b>	Suitable for use with 15mm Latch and 3mm Door Gap
<b>Environment:</b>	Operating Temperature range -20C to +60C, IP54 Rating
<b>Body:</b>	Solid Stainless Steel Construction
<b>Keeper:</b>	Stainless Steel
<b>Latch</b>	Suitable for 18mm latchbolt with 3mm door gap

## Standards and Compliance

<b>S8</b>	S8 (Security) Australian Lock Standard (AS4145.2.2008)
<b>D8</b>	D8 (Durability) Australian Lock Standard (AS4145.2.2008)
	For Australian fire door applications, this Electric lock has been successfully fire rated for up to 4 hours on fire door assemblies in accordance with AS1905.1.2015 (Part 1: Fire resistant door sets). With a fire resistance level of 4 hours in accordance with AS1530.4-2014. Contact the supplier for further details, such as door type and door thickness etc that may affect the fire door suitability and rating.
	CE & UKCA approved (EMC, RoHS and REACH)
	RCM compliant

## Ordering

### Ordering Information

Part Number	Product Description
ES9100	Lockwood ES9100 Electric Strike, 10-30VDC, Preload, Door Position Monitoring, Ext Lip Holes

**Note:** all ES9100 series electric strikes are supplied in Fail Safe (PTL) configuration.

### Accessories Ordering Information

Part Number	Product Description
SP3570-2100SSS	Magnet Faceplate to suit 3570 Series Mortice Lock – Timber door
3772-2100SS	Magnet Faceplate to suit 3770 Series Mortice Lock – Timber door
3772AF-2100SS	Magnet Faceplate to suit 3770 Series Mortice Lock – Aluminium door
3782-2100SS	Magnet Faceplate to suit 3782 Series Mortice Lock – Aluminium door
3782TF-2100SS	Magnet Faceplate to suit 3782 Series Mortice Lock – Timber door
210100-541	13mm Rebate Plate
220200-505	25mm Extension Lip (40.5mm total)
220200-506	50mm Extension Lip (65.5mm total)
220200-507	75mm Extension Lip (90.5mm total)

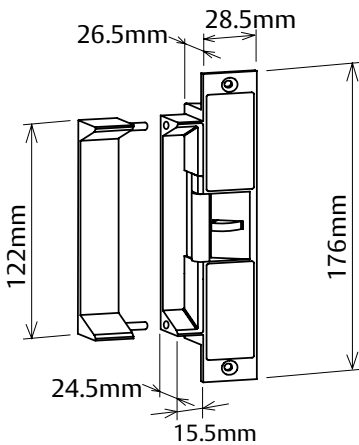
# ES9100 Series Pre-Load Strike with Door Position Monitoring

## Sustainability Contributions

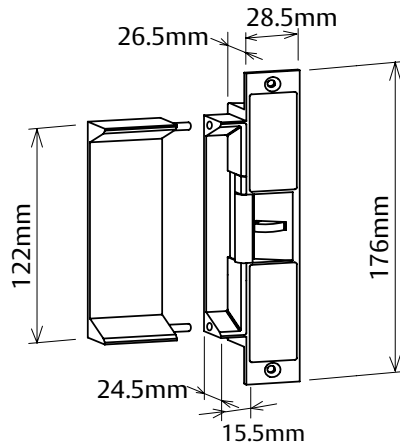
The electric strike should be fully monitored, including Door Position, independent latch and lock status monitoring outputs. Holding force for the strike should be not less than 1300kg. Where Power to Lock and Power to Open functions may be required in the same building, a single electric strike should be interchangeable from either fail safe or fail secure from the rear of the strike. The electric strike should not consume current greater than 250mA @ 12Vdc and have a

solenoid rated for continuous use. A fire rating not less than 4 hours is required where applicable. The strike must be capable of operating with up to 25kg of pre-load pressure applied to the keeper, be tested to 2.5 million operations and carry a minimum warranty of 5 years.

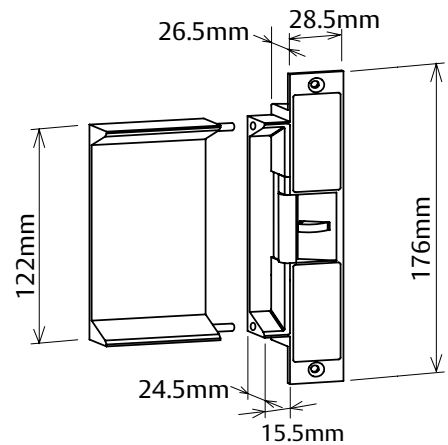
## Product Dimensions



ES9100 with 25mm Extension Lip



ES9100 with 50mm Extension Lip



ES9100 with 75mm Extension Lip