

Milesight

AI Weather-proof Mini Dome Network Camera

NDAA

IP67

IK10



DATASHEET



KEY FEATURES

- ▶ NDAA Compliance (Milesight Fully NDAA-compliant products are well suited for government, defense and a range of projects subject to the NDAA.)
- ▶ Advanced Functions (Boasting to support various advanced functions such as HLC, Defog, ROI.)
- ▶ Built-in Microphone (Supporting audio function to hear what is happening in front of the camera.)
- ▶ SIP (Session Initiation Protocol. Providing audio/alarm/intercom and video streaming for mobile phones and video phones.)
- ▶ 3-Axis Mechanical Design (Featuring 3-axis mechanical design for fast and easy adjustment of the camera's viewing angle.)
- ▶ Smart Stream (Bandwidth, storage and bit rate are saved with Smart Stream On, eg, H.265+ saves 70%~80% bandwidth that of H.264.)

AI Video Analytics

- 8 intelligent VCA modes powered by AI engine, which can intelligently filter objects to focus on human and vehicle detection.
- People Counting technology provides high accuracy and real-time data based on AI algorithm with statistic reports.



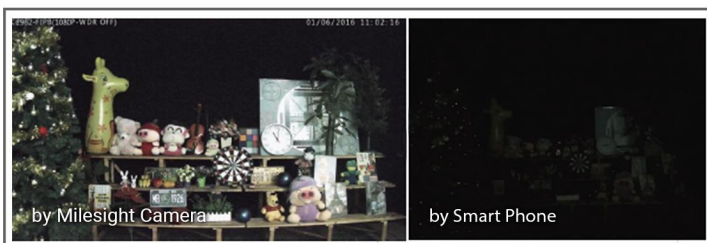
120dB Super WDR

Milesight's sensor-based WDR technology allows the camera to record greater scene details with true color reproduction even under the extreme back light and high contrast conditions. The ratio that the brightest light signal values divided by the darkest light signal values is up to 120dB.



0.002Lux Ultra Low-light

The starlight camera is able to deliver high detailed color images even in low light environment reaching 0.002Lux(Color) or 0Lux(B/W), and near infrared light environments without any supplementary lighting.



IP67&IK10

Supporting IP67-rated weather proofing and IK10-rated vandal proof which are the leading level of the industry, the camera is well protected against adverse impact to ensure the performance.



AI Weather-proof Mini Dome Network Camera



	Model	MS-C2975-(R)PD (2MP)	MS-C5375-PD (5MP)	MS-C8175-SPD (4K)
Camera	Image Sensor	1/2.8" Progressive Scan CMOS		
	Min. Illumination	Color: 0.002Lux@F1.2 Color: 0.005Lux@F1.6 B/W: 0Lux with IR on	Color: 0.005Lux@F1.2 Color: 0.008Lux@F1.6 B/W: 0Lux with IR on	Color: 0.01Lux@F1.2 Color: 0.012Lux@F1.6 B/W: 0Lux with IR on
	WDR	120dB Super WDR		
	Lens	2.8mm/4mm/6mm@F1.6		
	Mount	M12		
	Field of View	H111°/D128°/V61°(2.8mm) H91°/D106°/V50°(4mm) H55°/D63°/V32°(6mm)	H105°/D131°/V78°(2.8mm) H86°/D108°/V63°(4mm) H52°/D63°/V40°(6mm)	H110°/D126°/V60°(2.8mm) H91°/D106°/V50°(4mm) H55°/D63°/V32°(6mm)
	Shutter Time	1/100000s~1s		
	IR Distance	Up to 25m		
	Day/Night Mode	Day/Night/Auto/Customize/Schedule		
	S/N	>55dB		
Video	Max. Image Resolution	1920x1080	2592x1944	3840x2160
	Primary Stream	60Hz: 60fps@(1920x1080)(Optional for R Series) , 30fps@(1920x1080, 1280x960, 1280x720, 704x576) 50Hz: 50fps@(1920x1080)(Optional for R Series) , 25fps@(1920x1080, 1280x960, 1280x720, 704x576)	60Hz: 30fps@(2592x1944, 2048x1536, 1920x1080, 1280x960, 1280x720, 704x576) 50Hz: 25fps@(2592x1944, 2048x1536, 1920x1080, 1280x960, 1280x720, 704x576)	60Hz/50Hz: 20fps@(3840x2160, 3072x2048, 2592x1944, 2592x1520, 2048x1536, 1920x1080, 1280x960, 1280x720, 704x576)
	Secondary Stream	60Hz: 60fps@(704x576)(Optional for R Series) , 30fps@(704x576, 640x480, 640x360, 352x288) 50Hz: 50fps@(704x576)(Optional for R Series) , 25fps@(704x576, 640x480, 640x360, 352x288)	60Hz: 30fps@(704x576, 640x480, 640x360, 352x288) 50Hz: 25fps@(704x576, 640x480, 640x360, 352x288)	
	Tertiary Stream	60Hz: 30fps@(1920x1080, 1280x720, 704x576, 640x480, 640x360, 352x288) 50Hz: 25fps@(1920x1080, 1280x720, 704x576, 640x480, 640x360, 352x288)		
	Video Compression	H.265*/H.265(HEVC)/H.264*/H.264/MJPEG		
	Video Bit Rate	16Kbps~16Mbps(CBR/VBR Adjustable)		
	Privacy Masking	Up to 4 areas		
	ROI	Up to 8 areas		
	Image Setting	Brightness/Contrast/Saturation/Sharpness		
	Interface	Ethernet	1*RJ45 10M/100M Ethernet Port	
Audio Interface		Built-in Microphone		
Network	Network Storage	NAS(Support NFS, SMB/CIFS), ANR		
	Protocol	IPv4/IPv6, ARP, TCP, UDP, RTCP, RTP, RTSP, RTMP, HTTP, HTTPS, DNS, DDNS, DHCP, FTP, NTP, SMTP, SNMP, UPnP, Bonjour, SIP, PPPoE, VLAN, 802.1x, QoS, IGMP, ICMP, SSL		

AI Weather-proof Mini Dome Network Camera



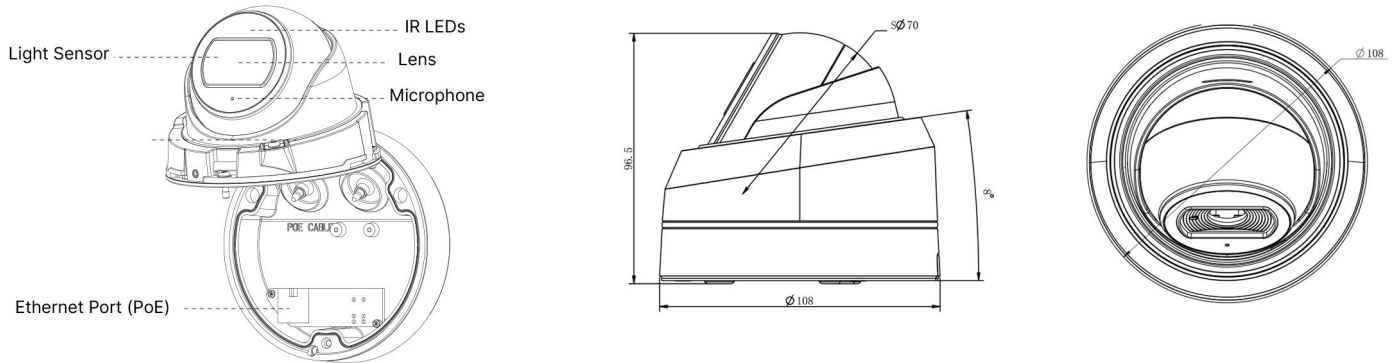
Audio	Audio Compression	G.711/AAC/G.722/G.726		
	Audio Sampling Rate	8/16/32/48KHz		
	Audio Bit Rate	16~256kbps		
	Two-way Audio	N/A		
Intelligent Analytics	Video Analysis	Region Entrance, Region Exiting, Advanced Motion Detection, Tamper Detection, Line Crossing, Loitering, Object Left, Object Removed		
	People Counting&Report	Count the number of people entering or exiting		
System	Storage	Support microSD/SDHC/SDXC Card Local Storage, up to 256G		
	Advanced Function	BLC, HLC, 2D DNR, 3D DNR, Defog, AWB, IP Address Filtering, AGC, Anti-flicker, Corridor Mode, Deblur, Watermark		
	SIP/VoIP Support	Yes, Voice & Video-over-IP		
	Event Trigger	Motion Detection, Network Disconnection, Audio Alarm, etc.		
	Event Action	FTP Upload, SMTP Upload, SD Card Record, SIP Phone, HTTP Notification, etc.		
	System Compatibility	ONVIF Profile G & Q & S & T, API		
General	Working Temperature	-40°C~60°C		
	Working Humidity	0~90%(Non-condensing)		
	Power Supply	PoE (802.3af)		
	Power Consumption	3W MAX 5.1W MAX (With IR on)	3.8W MAX 5.8W MAX (With IR on)	4.6W MAX 6.6W MAX (With IR on)
	Housing	Vandal-proof IK10-rated Metal Housing / Up to IP67-rated for Weather-resistant Performance		
	Weight	600g (Junction Box Version) / 410g (Cable Out Version)		
	Dimensions	Φ108mmX96.5mm (Junction Box Version) / Φ106mmX76.5mm (Cable Out Version)		
	Warranty	3/5 Years		

AI Weather-proof Mini Dome Network Camera

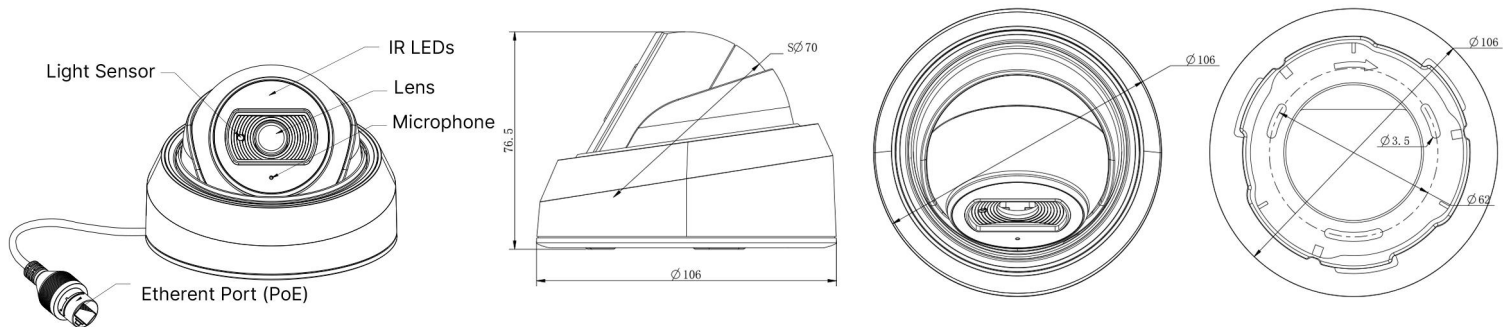


Structure Diagrams

Junction Box Version



Cable Out Version



Units: mm

Accessories Support

A01 Pole Mount

Weight: 720g
Dimensions: 170*51.5*152.6mm



A03 External Corner Bracket

Weight: 900g
Dimensions: 170*152.5*76.3mm



A71 Wall Mount

Weight: 530g
Dimensions: 162*124*78 mm



A81 Recessed Mount

Weight: 450g
Dimensions: 168.9*168.9*91.3mm



A83 Junction Box

Weight: 270g
Dimensions: φ122*45.5mm

